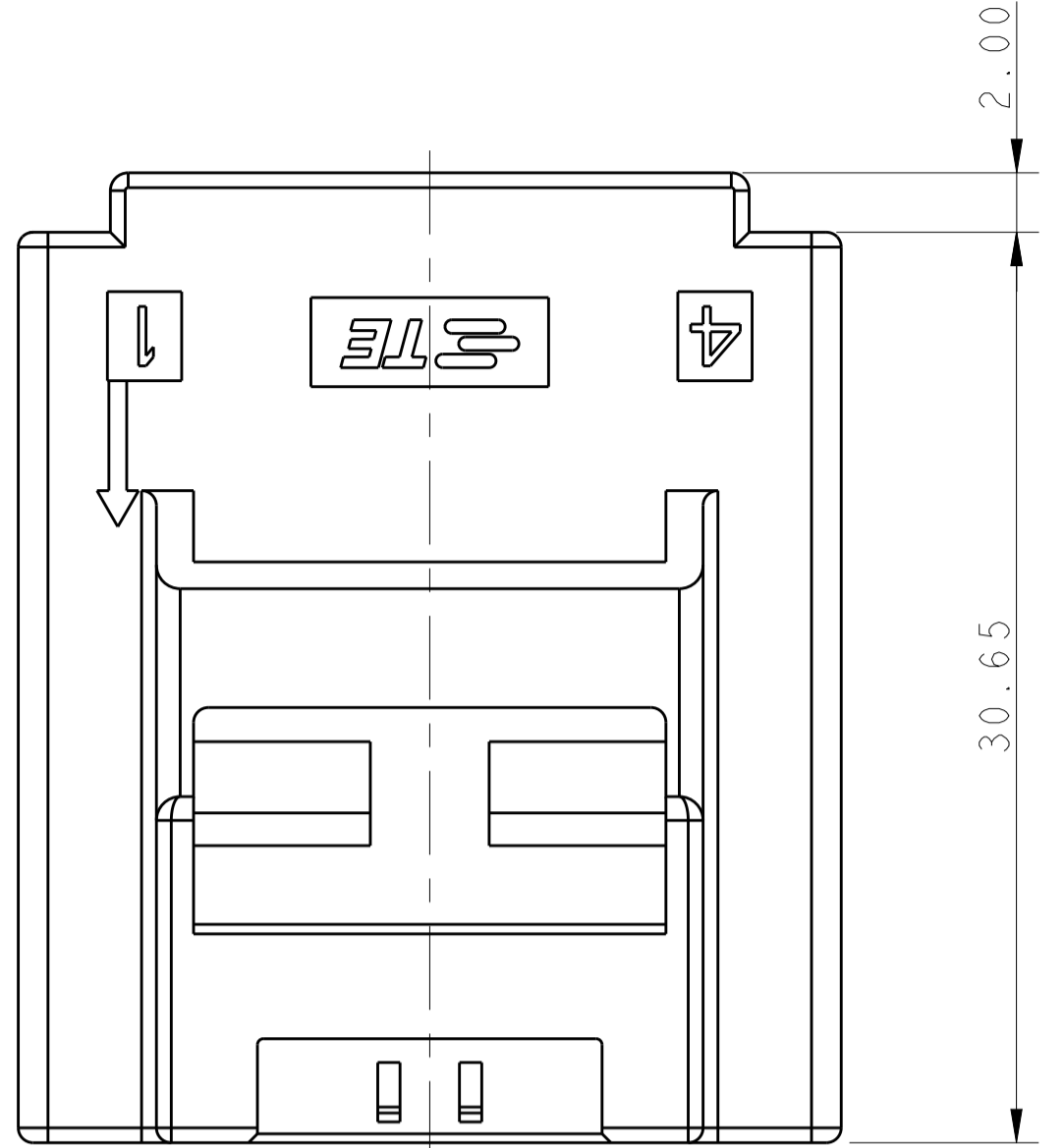
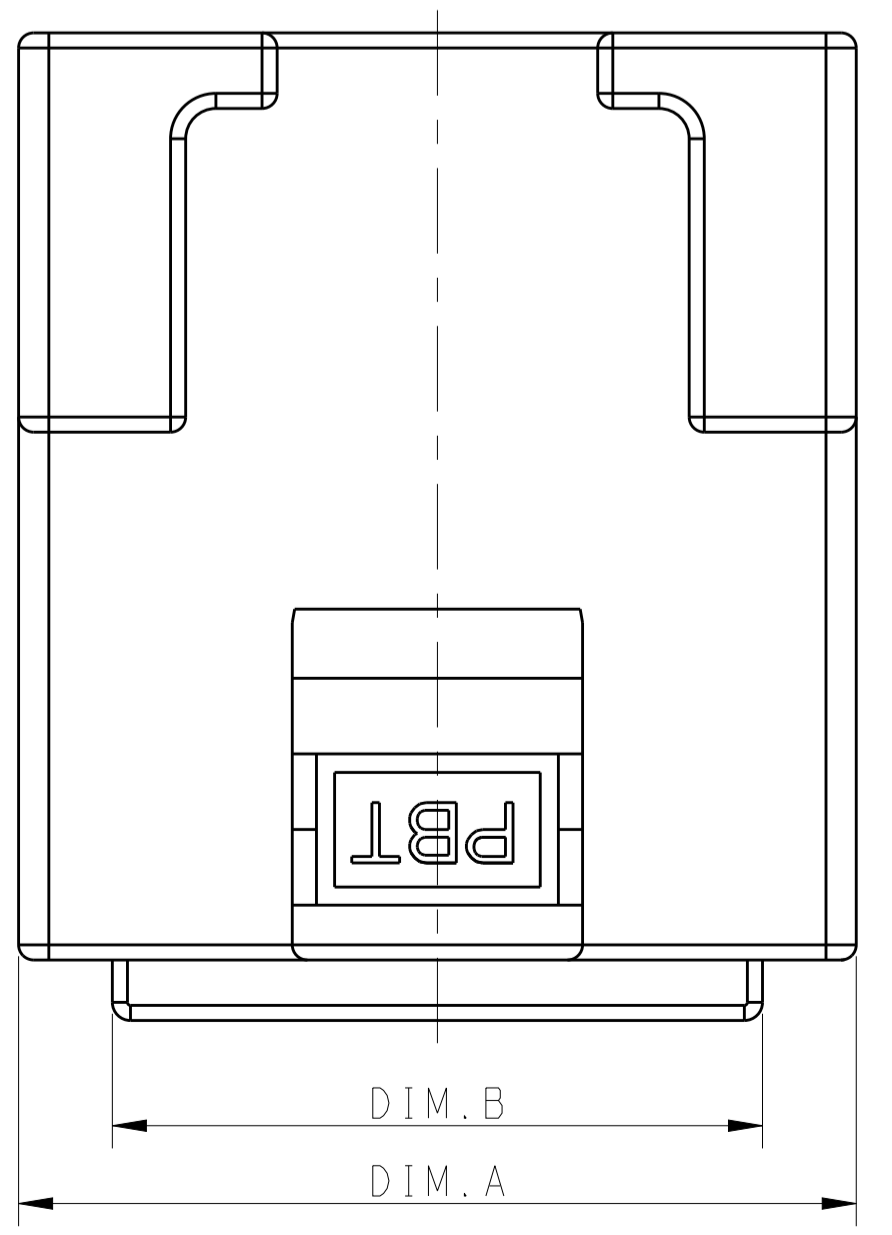
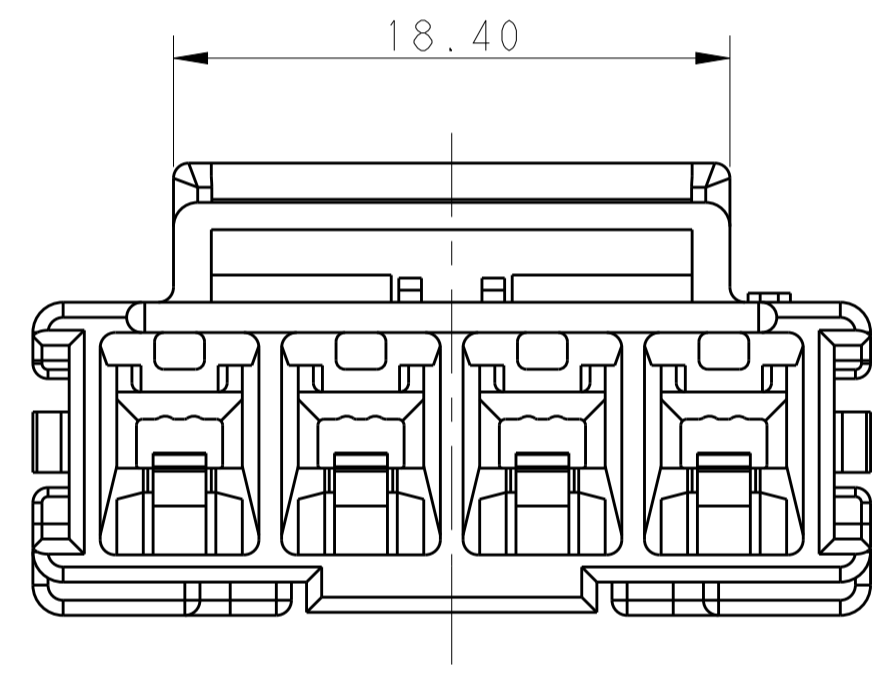
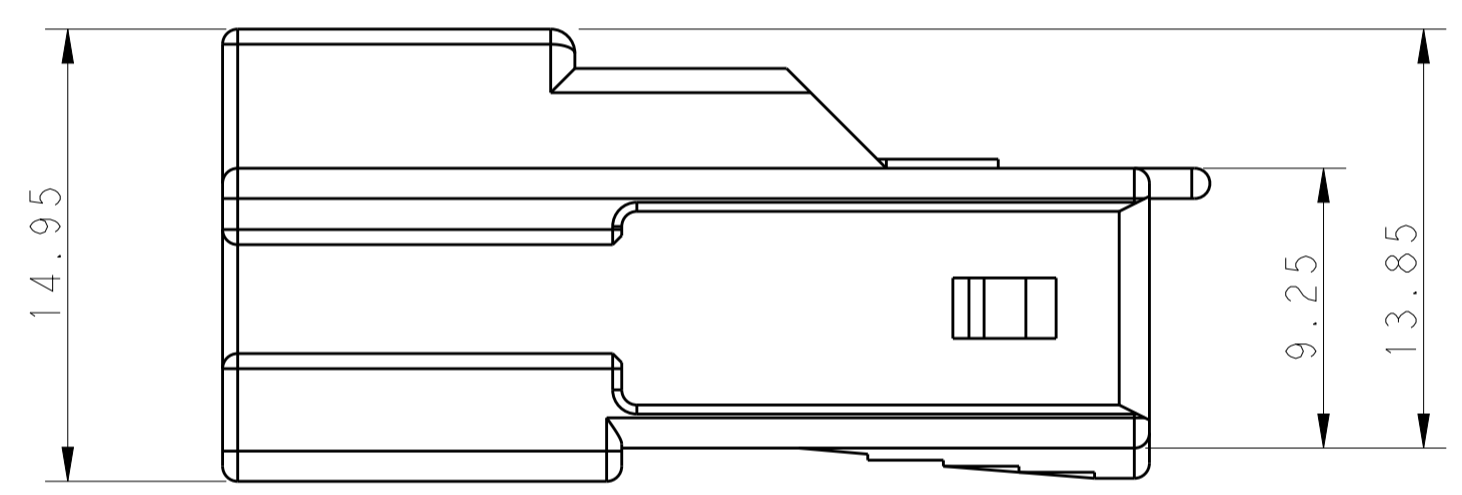
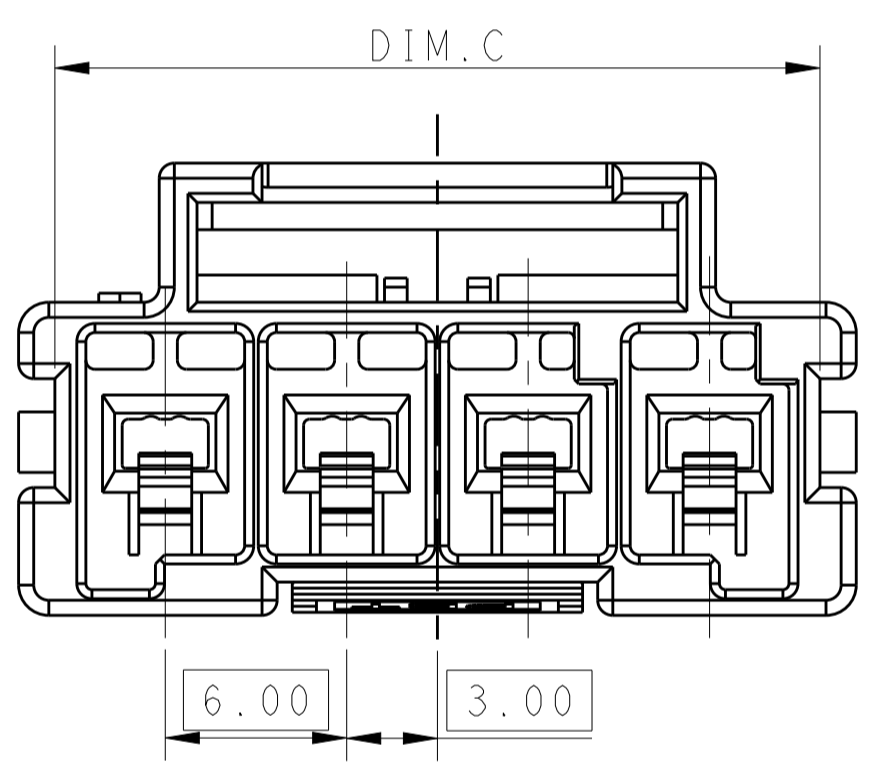


| LOC | | DIST | | REVISIONS | | | |
|-----|-----|---------------------------|-----------|-----------|------|--|--|
| P | LTN | DESCRIPTION | DATE | DWN | APVD | | |
| B | | REVISED PER ECR-15-002599 | 13MAR2015 | NK | GJ | | |



- △ MATERIAL:
 LEVEL 1: PBT, STANDARD TEMPERATURE 105°C.
 KEY A: NATURAL; KEY B: PURPLE; KEY C: BLUE; KEY D: YELLOW
- LEVEL 2: NYLON, HIGH TEMPERATURE 150°C
 KEY A: LIGHT GREY; KEY B: RED; KEY C: LIGHT GREY; KEY D: LIGHT GREY
- 2 MATERIAL MARK:
 LEVEL 1: PBT, LEVEL 2: HDT
- 3 APPLICABLE CONTACT P/N
 TAB CONTACT: 1971238/1971780/82/84/86/88-*
- 4 MATING CONN, P/N
 PLUG HSG: *-1971773-
 TPA (LOCK PLATE): *-1971777-*
- 5 THIS DRAWING DOES NOT PERTAIN TO RESTRICTED P/N 5-1971771-2.
- 6 THIS PRODUCT HAS NOT COMPLETED VALIDATION TESTING

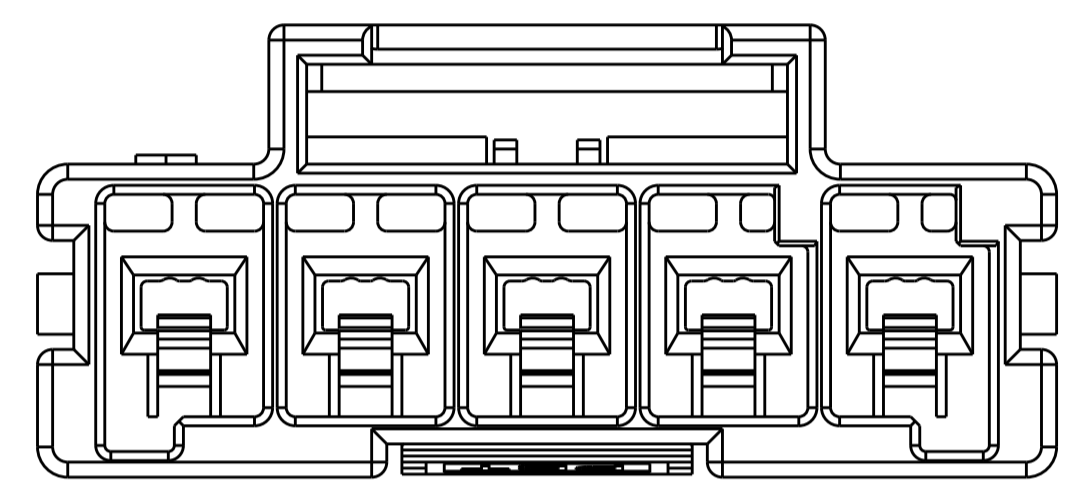
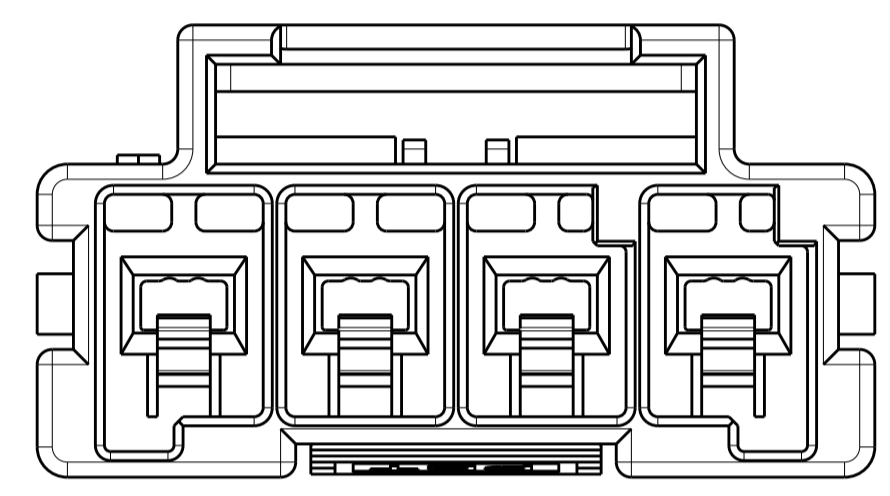
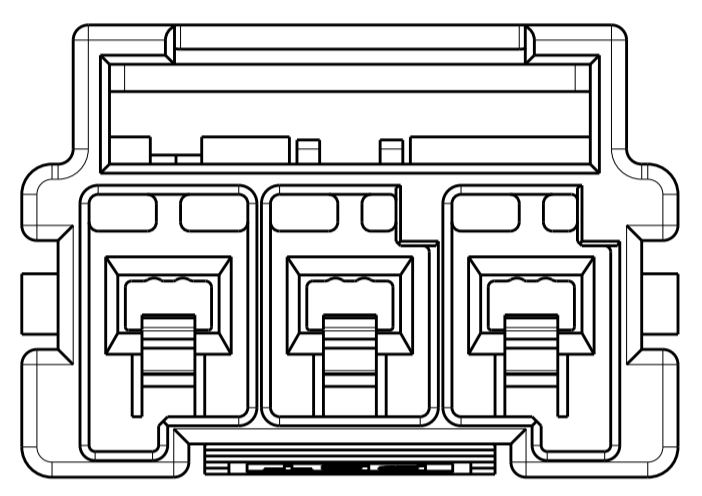
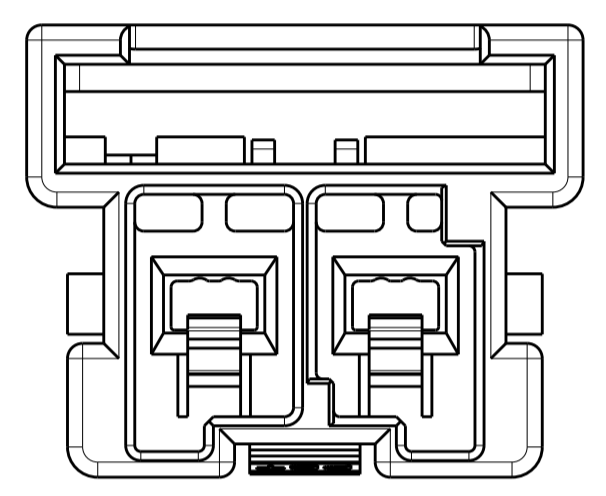
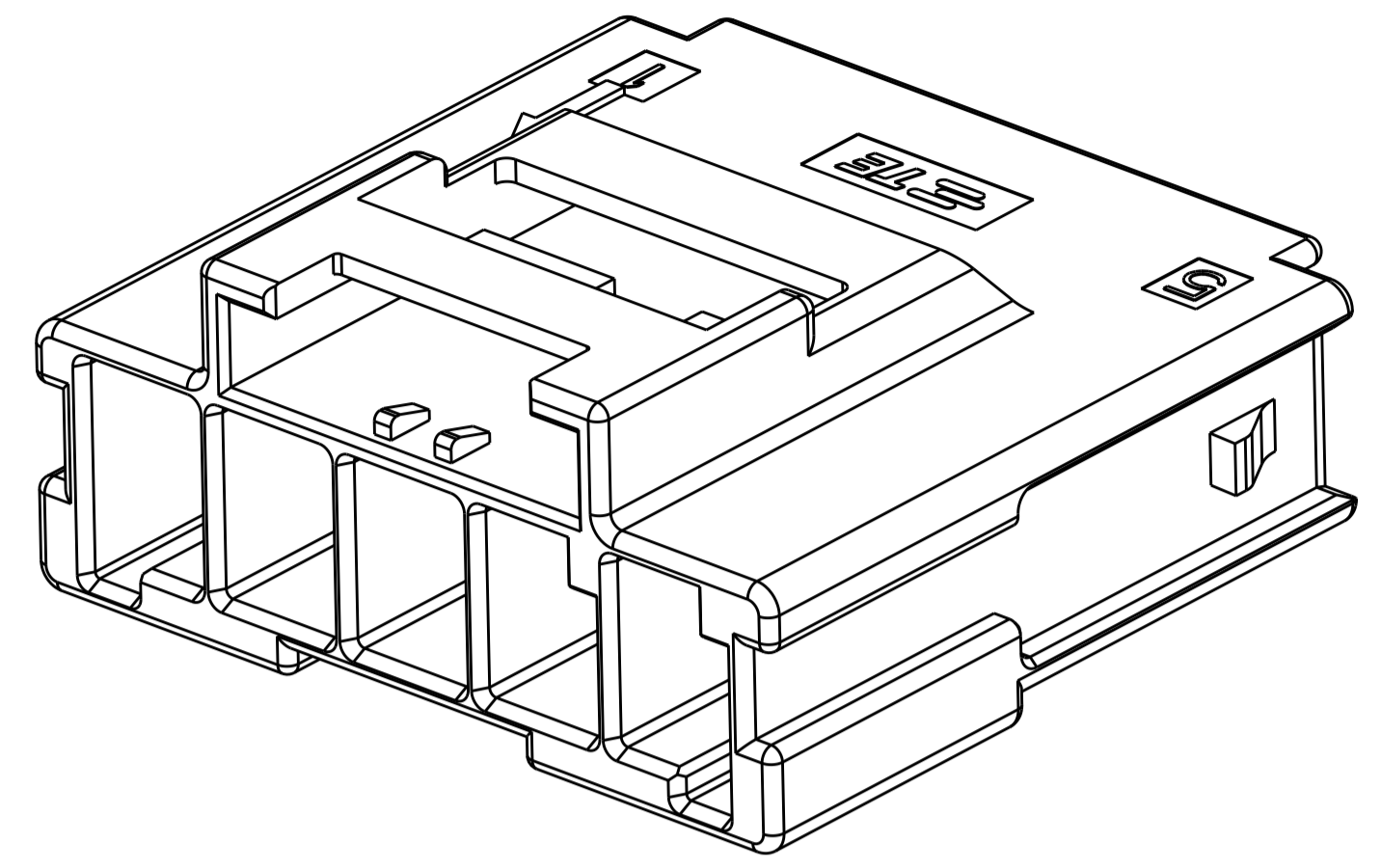
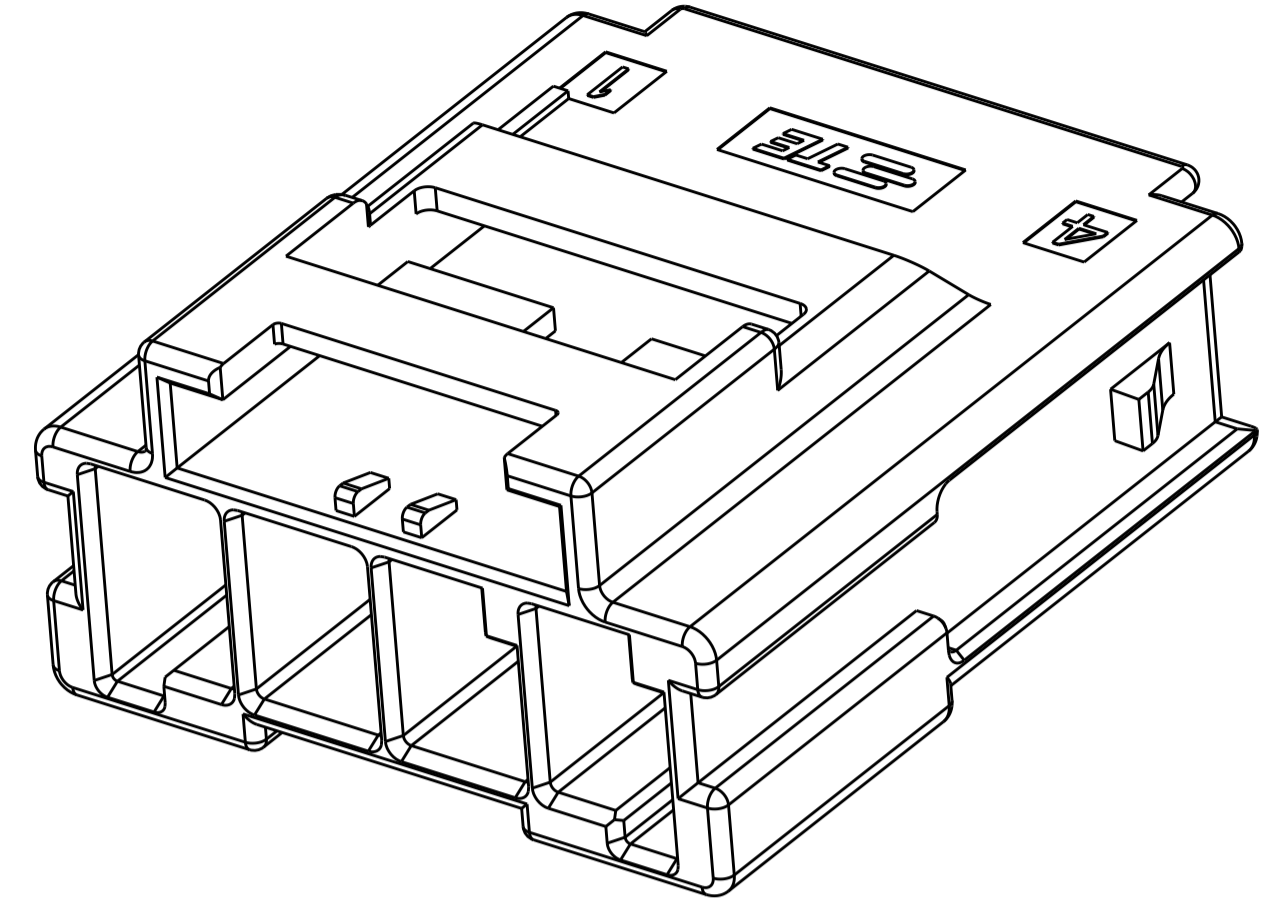
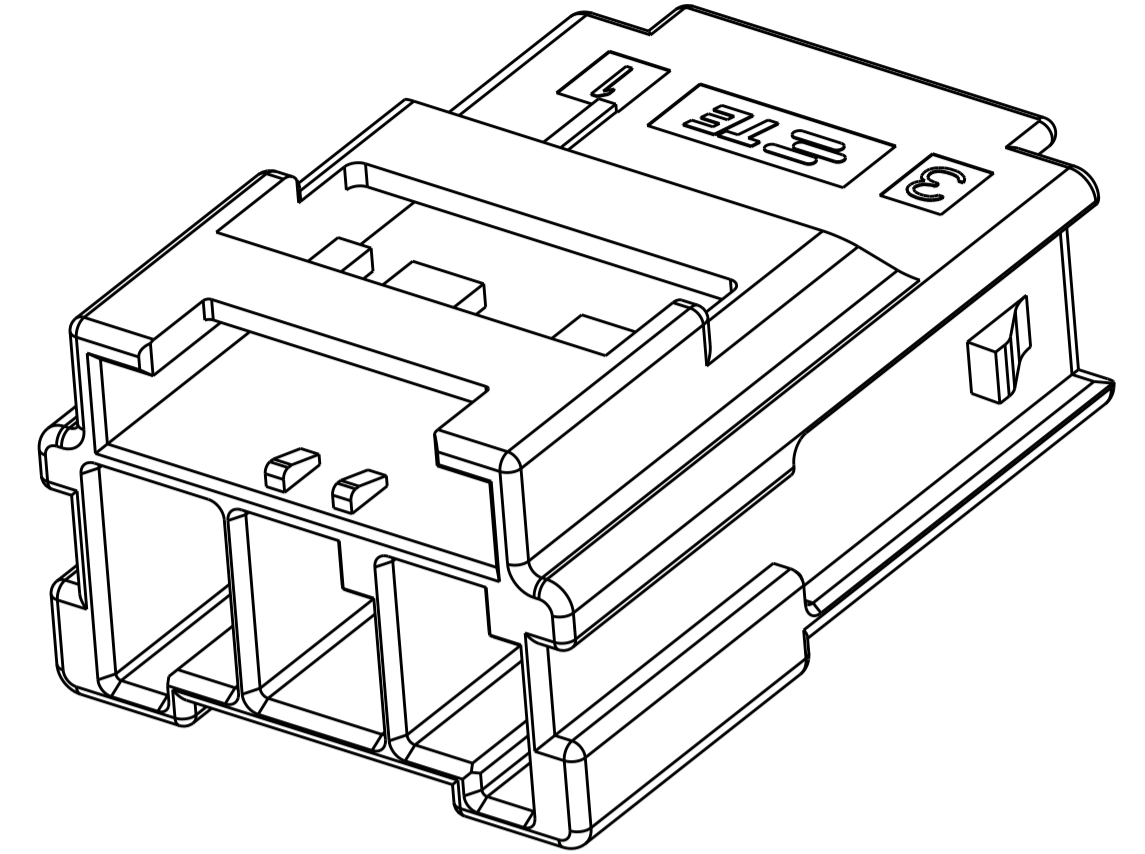
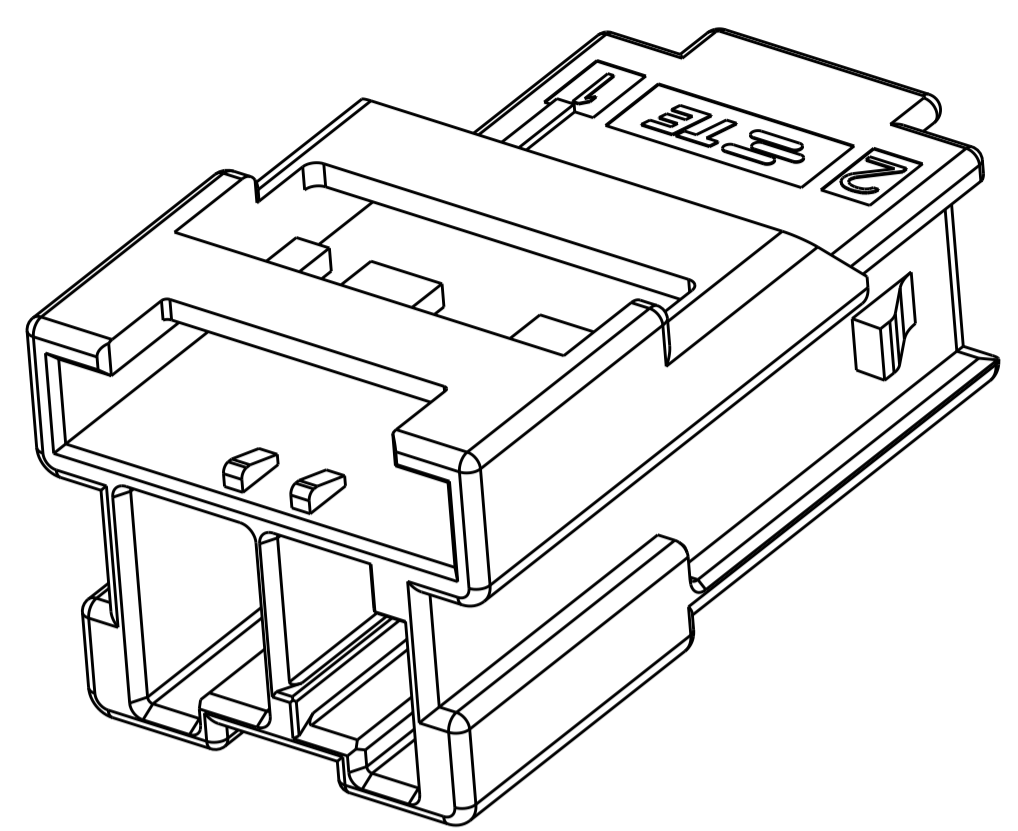


| POS. | DIM.A | DIM.B | DIM.C |
|------|-------|-------|-------|
| 1*5 | 33.70 | 27.50 | 31.30 |
| 1*4 | 27.70 | 21.50 | 25.30 |
| 1*3 | 21.70 | 15.50 | 19.30 |
| 1*2 | 15.70 | 9.50 | 13.30 |

THIS DRAWING IS A CONTROLLED DOCUMENT.

| | | | |
|-------------|--|--|----------------------------|
| DIMENSIONS: | TOLERANCES UNLESS OTHERWISE SPECIFIED: | DWN TOMMY WU 09JUL2012 | |
| mm | 0 PLC ± | CHK HAPYE WU 09JUL2012 | |
| | 1 PLC ±0.35 | APVD YUHONG MAO 09JUL2012 | |
| | 2 PLC ±0.25 | NAME CAP HOUSING, FREE HANGING, SINGLE ROW POWER TRIPLE LOCK | |
| | 3 PLC ± | PRODUCT SPEC 108-106118 | |
| | 4 PLC ± | APPLICATION SPEC 114-106118 | |
| | ANGLES ± | SIZE CAGE CODE DRAWING NO | RESTRICTED TO |
| MATERIAL | FINISH | WEIGHT | A100779C=1971771 |
| | | Customer Drawing | SCALE - SHEET 1 OF 2 REV B |

| LOC | | DIST | | REVISIONS | | | | |
|-----|-----|------|-----|-----------|-------------|------|-----|------|
| P | LTN | DATE | OWN | APVD | DESCRIPTION | DATE | OWN | APVD |
| - | - | - | - | - | SEE SHEET 1 | - | - | - |

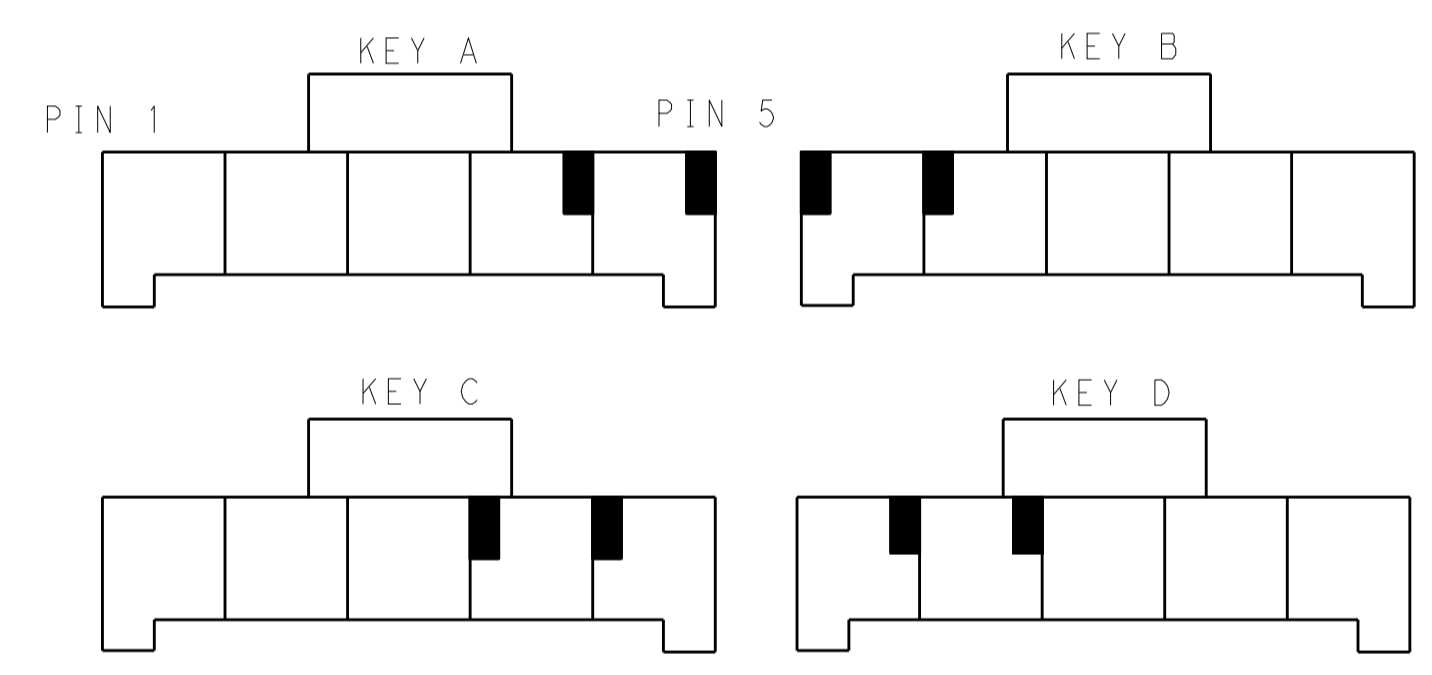
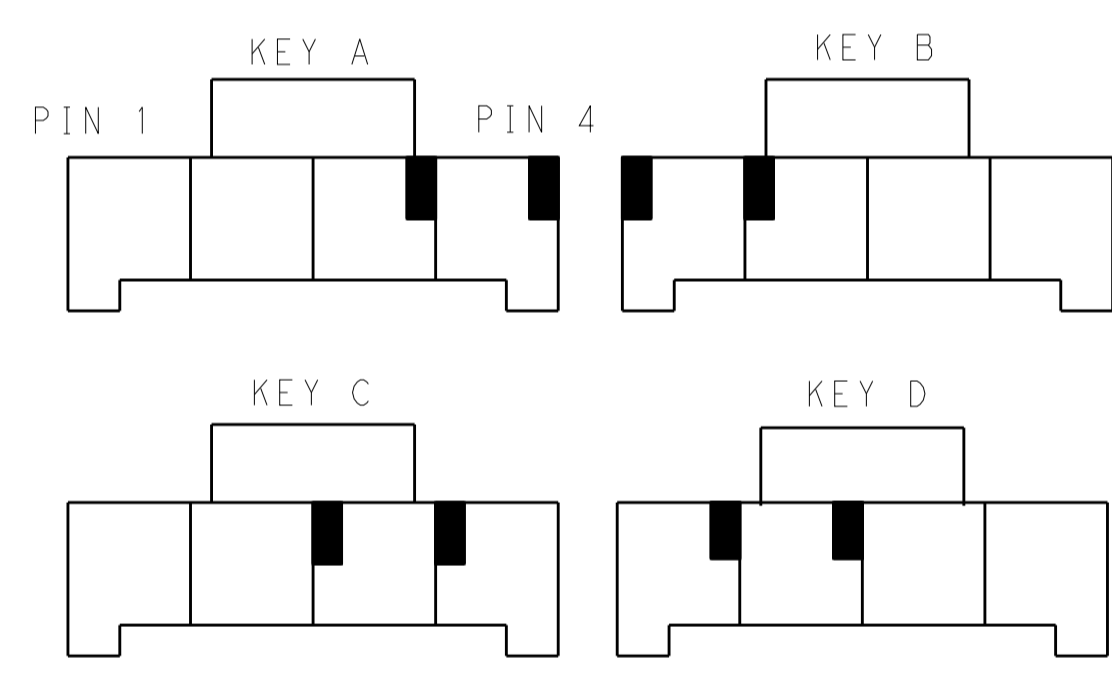
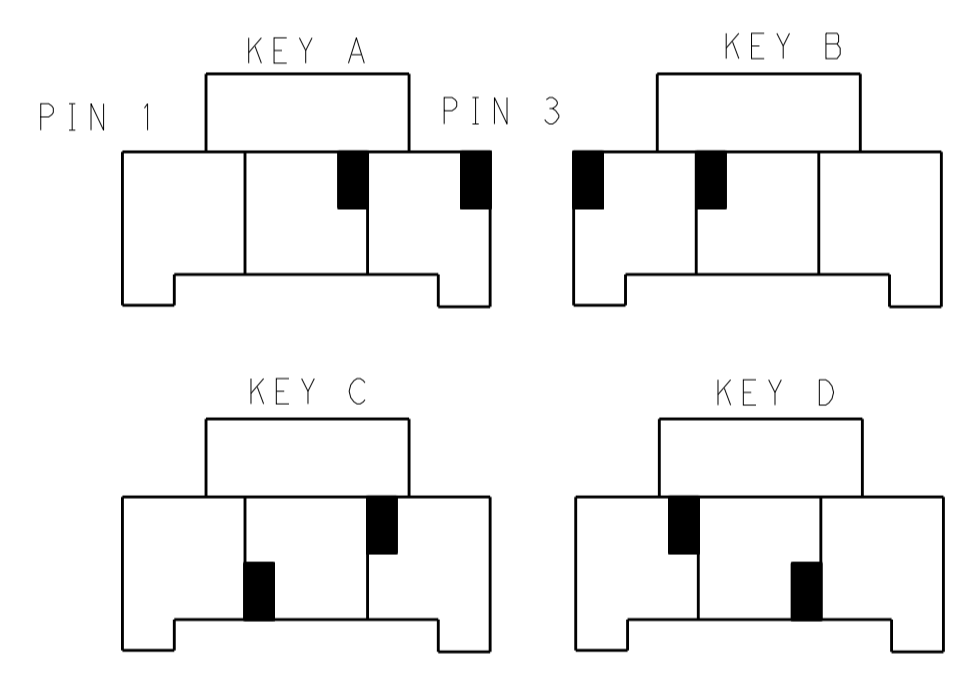
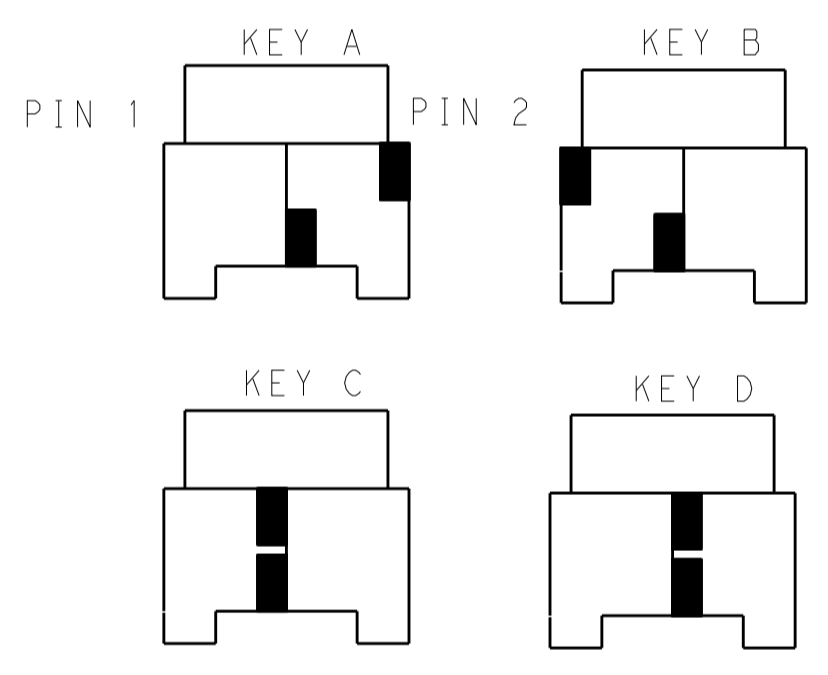


1*2 POSITIONS

1*3 POSITIONS

1*4 POSITIONS

1*5 POSITIONS



KEYING FOR 1*2 POS.

KEYING FOR 1*3 POS.

KEYING FOR 1*4 POS.

KEYING FOR 1*5 POS.

| POS. | MATERIAL | KEY | P/N |
|------|----------|-------|-------------|
| 1*5 | LEVEL 1 | KEY A | 1-1971771-7 |
| | | KEY B | 2-1971771-7 |
| | | KEY C | 3-1971771-7 |
| | | KEY D | 4-1971771-7 |
| | LEVEL 2 | KEY A | 5-1971771-7 |
| | | KEY B | 6-1971771-7 |
| | | KEY C | 7-1971771-7 |
| | | KEY D | 8-1971771-7 |
| 1*4 | LEVEL 1 | KEY A | 1-1971771-4 |
| | | KEY B | 2-1971771-4 |
| | | KEY C | 3-1971771-4 |
| | | KEY D | 4-1971771-4 |
| | LEVEL 2 | KEY A | 5-1971771-4 |
| | | KEY B | 6-1971771-4 |
| | | KEY C | 7-1971771-4 |
| | | KEY D | 8-1971771-4 |

| POS. | MATERIAL | KEY | P/N |
|------|----------|-------|-------------|
| 1*3 | LEVEL 1 | KEY A | 1-1971771-3 |
| | | KEY B | 2-1971771-3 |
| | | KEY C | 3-1971771-3 |
| | | KEY D | 4-1971771-3 |
| | LEVEL 2 | KEY A | 5-1971771-3 |
| | | KEY B | 6-1971771-3 |
| | | KEY C | 7-1971771-3 |
| | | KEY D | 8-1971771-3 |
| 1*2 | LEVEL 1 | KEY A | 1-1971771-2 |
| | | KEY B | 2-1971771-2 |
| | | KEY C | 3-1971771-2 |
| | | KEY D | 4-1971771-2 |
| | LEVEL 2 | KEY A | 9-1971771-2 |
| | | KEY B | 6-1971771-2 |
| | | KEY C | 7-1971771-2 |
| | | KEY D | 8-1971771-2 |

THIS DRAWING IS A CONTROLLED DOCUMENT.

| | | | |
|-------------|--|------------------------------|--|
| DIMENSIONS: | TOLERANCES UNLESS OTHERWISE SPECIFIED: | OWN: TOMMY_WU 09JUL2012 | TE Connectivity NAME: CAP HOUSING, FREE HANGING, SINGLE ROW POWER TRIPLE LOCK SIZE: CAGE CODE DRAWING NO: A100779C=1971771 RESTRICTED TO: |
| mm | 0 PLC ±0.35 | CHK: HAPYE_WU 09JUL2012 | |
| | 2 PLC ±0.25 | APVD: YUHWONG_MAO 09JUL2012 | |
| | 3 PLC ± | PRODUCT SPEC: 108-106118 | |
| MATERIAL: | FINISH: | APPLICATION SPEC: 114-106118 | SCALE: SHEET 2 OF 2 |
| | | WEIGHT: | Customer Drawing |